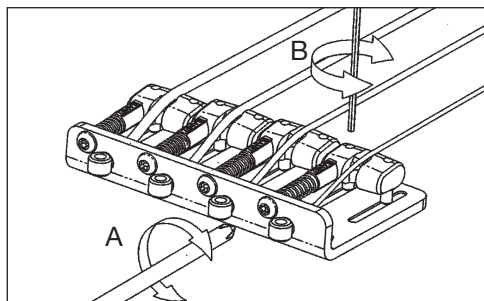


# GSR (B10/B15/B16)



- A: Intonation adjustment screw
- B: Saddle height adjustment screw  
(1.5mm/2.0mm hex key wrench)