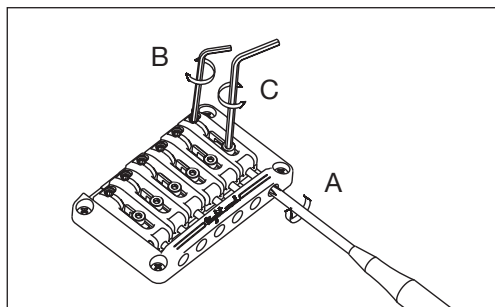


SRC (Tight End Bridge)



A: Intonation adjustment screw

B: Saddle height adjustment screw
(2.0mm hex key wrench)

C: Saddle lock screw (2.0mm hex key wrench)