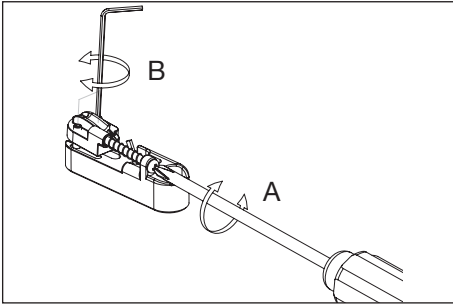


SRSC

A: Intonation adjustment screw

B: Saddle height adjustment screw (1.5mm hex key wrench)

MR5



STRING REPLACEMENT

MR5

Hook the ball end below the string catch at the rear of the bridge.

