

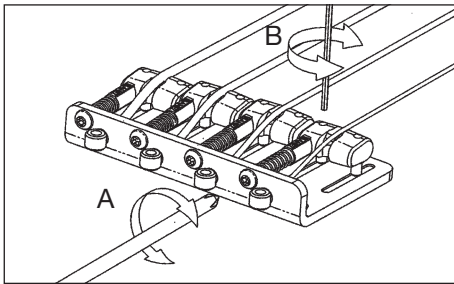
A: Intonation adjustment screw

B: Saddle height adjustment screw (B120/B125/B126, B300/B305/B306, MR4: 2.0mm hex key wrench)
(B10/B15/B16, MR5: 1.5mm/2.0mm hex key wrench)

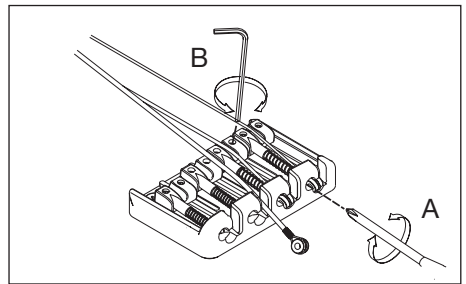
C: Saddle lock screw (2.0mm hex key wrench)

D: Slid-able saddle lock screw (1.5mm hex key wrench)

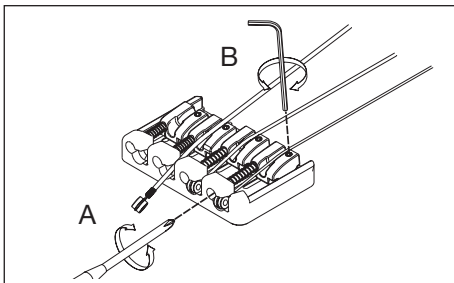
B10/B15/B16



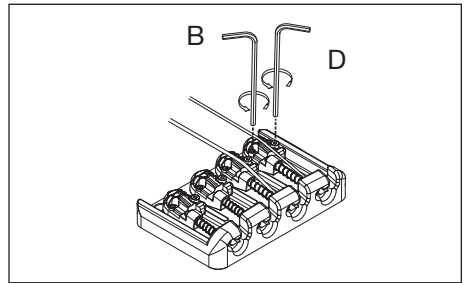
B120/B125/B126



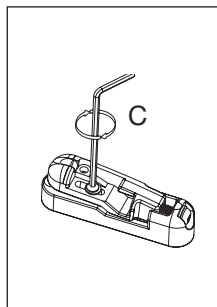
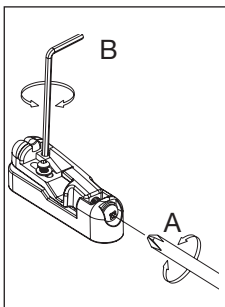
B300/B305/B306



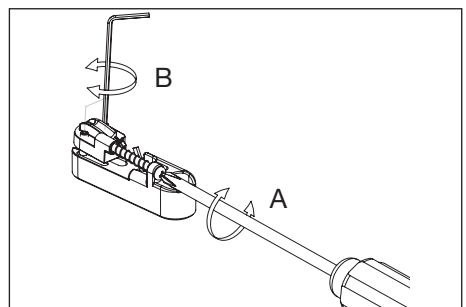
B500/B505/B506



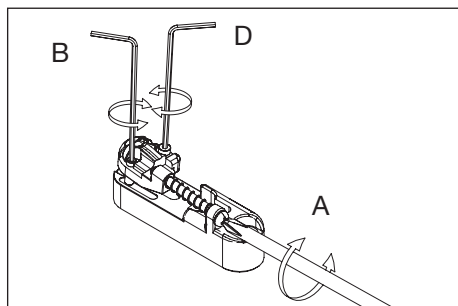
MR4



MR5



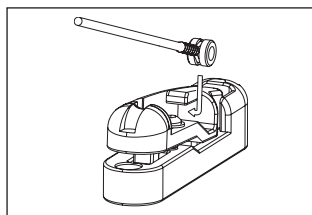
MR55



STRING REPLACEMENT

MR4

Slide the ball end into the ball end pocket.



MR5/MR55

Hook the ball end below the string catch at the rear of the bridge.

