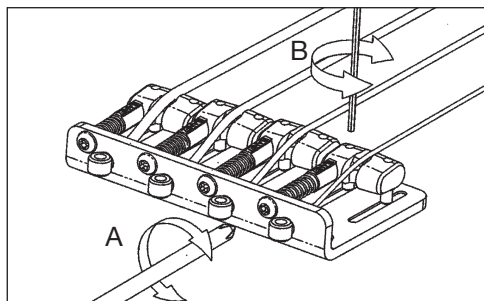


TMB (B10/B15W)



- A: Intonation adjustment screw
- B: Saddle height adjustment screw
(2.0mm hex key wrench)