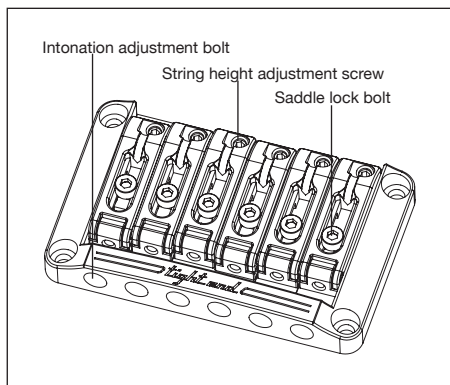
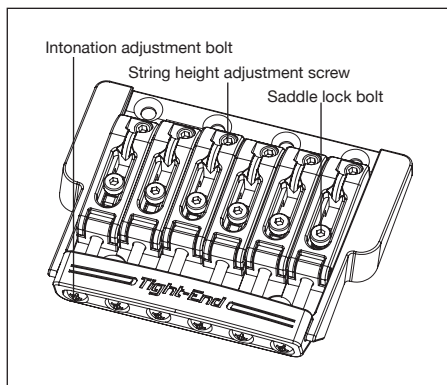


# Tight-End bridge / Tight-End R bridge

## ■ Tight-End bridge



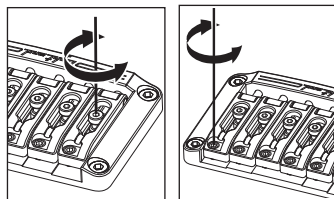
## ■ Tight-End R bridge



## Adjusting the action

1. Use an HEX key wrench (2 mm) to loosen the saddle lock bolts.
2. To adjust the saddle height, use the HEX key wrench (2 mm) to turn the saddle height adjustment screws.

※ When you've finished making adjustments, tighten the saddle lock bolts.

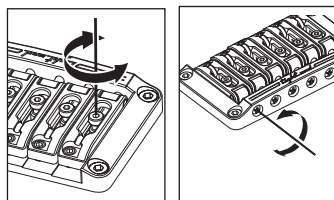


EN

## Adjusting the intonation

1. Use an HEX key wrench (2 mm) to loosen the saddle lock bolts.
2. Use a Cross slot screwdriver to adjust the saddle position by turning the intonation adjustment bolt.
3. Use an HEX key wrench (2 mm) to tighten the saddle lock bolts, and use a Cross slot screwdriver to lightly tighten the intonation adjustment screw in the clockwise direction. (Tighten lightly, so as not to affect the saddle position.)

※ Make sure that the guitar is tuned correctly before you check the intonation.



## String replacement

To install a new string, pass it through the string stopper ferrule from the back of the guitar body.

