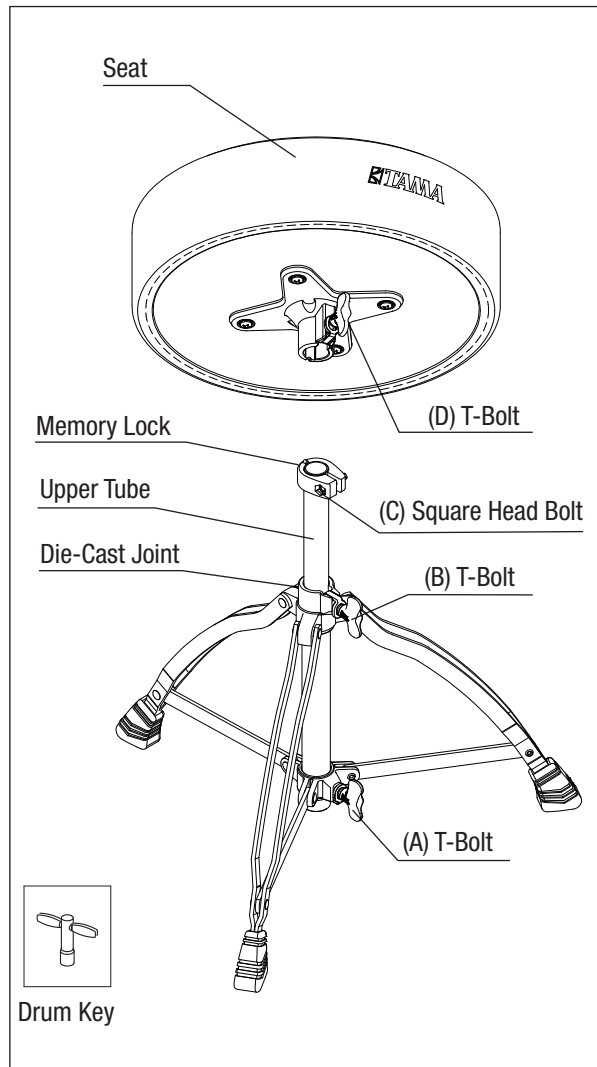


Standard Drum Throne Instruction Manual




Thank you very much for your purchase of this TAMA drum throne. In order to take full advantage of this product's functionality and to ensure safe enjoyment please read this manual carefully before use, and keep it in a safe place for future reference.



Using your product safely

Display Symbols

These instructions contain symbols which are intended to alert the user and others to the possibility of danger or injury. Please make sure you understand the meanings of these symbols before reading the instructions.

| | |
|---|--|
|  WARNING | If this symbol is ignored and the equipment is used improperly, fetal injury to persons or serious damage could occur. |
|  CAUTIONS | If this symbol is ignored and the equipment is used improperly, there is a danger of injury to persons handling the equipment, and material damage could occur. |
|  NOTE | If this symbol is ignored and the equipment is used improperly, the performance of the equipment may be adversely affected, or functions may not work as designed. |

- Please be aware that Hoshino Gakki accepts no responsibility for damage to the equipment or other problems caused by external factors such as improper handling.

WARNING

- Screws should be tightened securely to keep the equipment from falling over or dropping during performance.
- To prevent from falling over, please make sure to use the equipment on a flat floor.

CAUTIONS

- Do not use the equipment for any purpose other than performance. Standing on the drum throne or using it as a stepping stool could cause it to fall over or break. Never use the drum throne for anything other than its designated purpose, which is for sitting while playing.
- Adjusting the height of the drum seat while sitting on it can cause accidents such as pinched fingers or seat dropping suddenly, causing back injuries. When adjusting the height, always stand up from the seat.
- Metal parts become rusty and scratched through use. Scour rusty parts to remove the rust, being careful not to injure your hands.

NOTE

- Consider the storage location with care, and avoid leaving the product for extended periods of the time inside an automobile or in direct sunlight.
- To prevent rust or tarnish, use a dry cloth to wipe the metal parts from time to time.

How to use this product

1. First, open the legs of the tripod base so the tripod stand is able to stand flat on the floor and then tighten the T-bolt (A).
2. Next, loosen the T-bolt (B) and pull up the upper tube high enough. Slightly tighten the T-bolt (B) (you will tighten it fully later).
3. Before you can place the seat on the upper tube you will need to loosen the square head bolt (C) of the memory lock with the drum key that is attached to the throne. Then lower the memory lock to the middle of the upper tube and tighten (C) slightly.
4. Place the seat on the upper tube. Firmly tighten the drum seat's T-bolt (D).
5. Use the T-bolt (B) to adjust the desired height of the upper tube, and then firmly tighten the T-bolt (B) into place once the desired height is achieved.
6. Now loosen the square head bolt (C) and lower the memory lock to the top of the die-cast pipe joint. Using a drum key, tighten the memory lock's square head bolt (C) firmly. The memory lock provides the needed strength to hold the upper tube in place.
7. If you need to make further height adjustments, please repeat steps 5 and 6. Once the desired height is achieved, firmly tighten the memory lock's square head bolt (C).

Specifications and design are subject to change without notice.