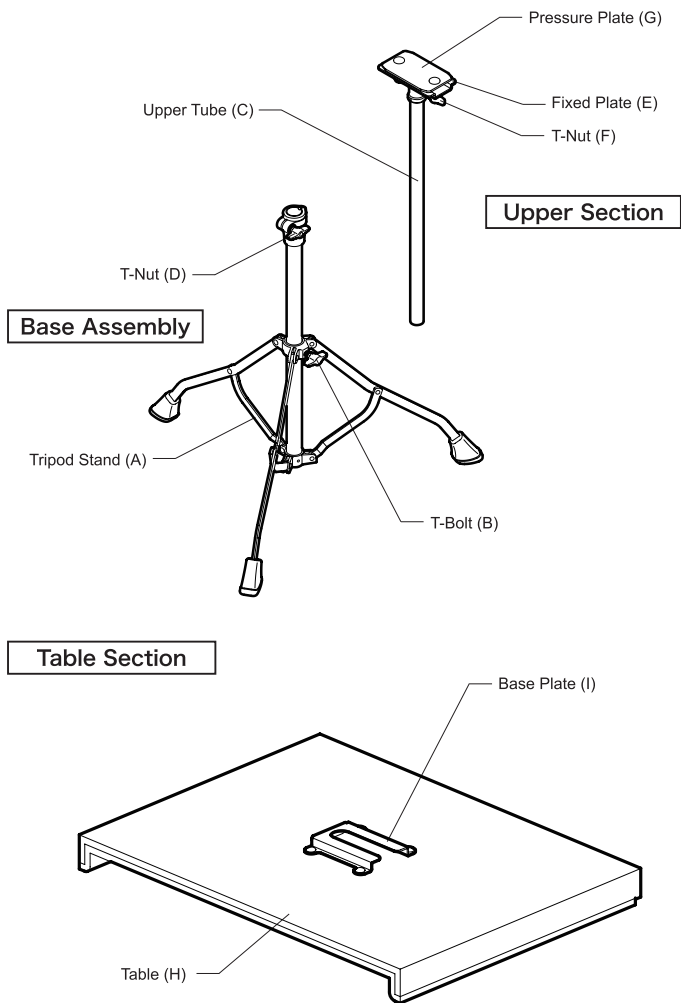


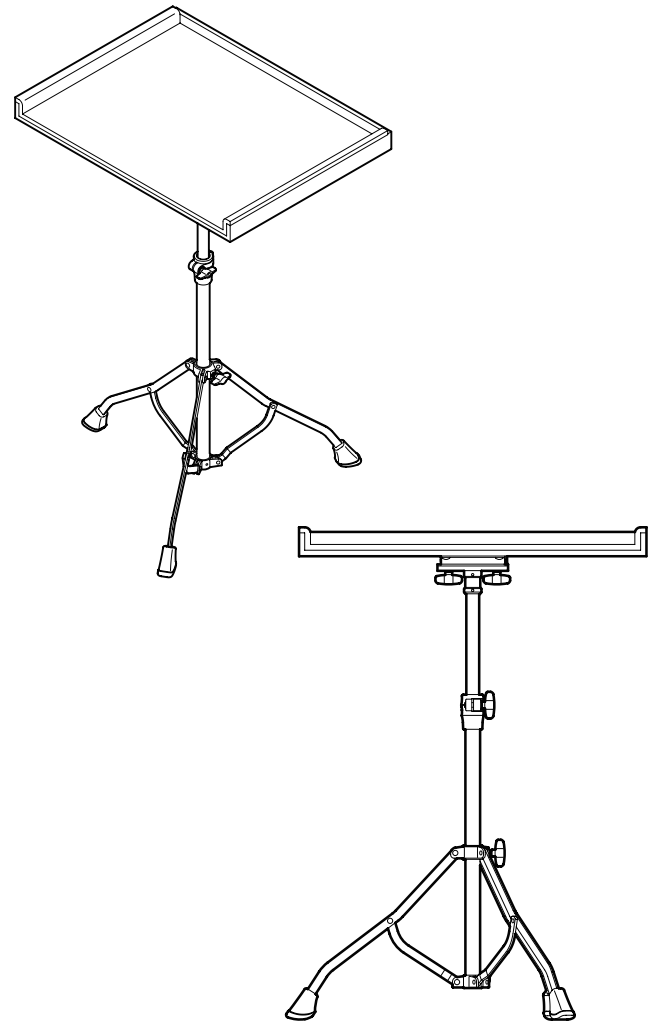
PERCUSSION TABLE Instruction Manual

Thank you for your purchase of the TAMA's Percussion table. To ensure the safe and efficient use of this product, please read through this manual before beginning assembly. Store the manual in a convenient place for future reference.

Part Description



After Assembly



Assembly

1. Assemble the stand

Loosen T-Bolt (B), open the tripod base at the bottom section of the stand, tighten T-Bolt (B) to secure in place, and put on a level surface.

*The most stable angle of tripod legs is 45 degrees to level ground.

Insert Upper tube (C) into the hole of Tripod Stand (A), and tighten T-Nut (D) firmly.

*If it is challenging to insert Upper Tube (C) into the hole of Tripod stand (A), loosen T-Nut (D) to allow for more space.

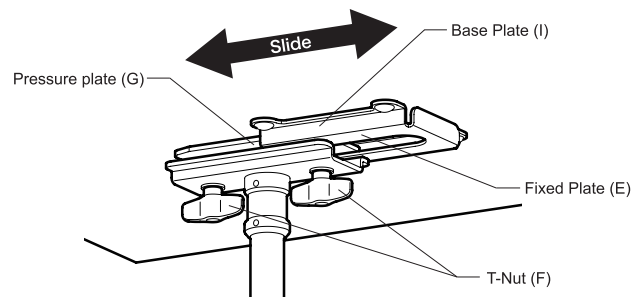
2. Mount the stand and the table

Loosen two T-Nut (F) of the Fixed Plate (E), and make enough space for more than 5mm between Fixed Plate (E) and Pressure Plate (G).

*T-Nut (F) may be detached if it is loosened too much.

Lift the Table (H) with both hands, slide Base Plate (I) into the gap between Fixed Plate (E) and Pressure Plate (G). Tighten two T-Nut (F), and make sure that Base Plate (I) is flush with the Fixed Plate (E) and Pressure Plate (G).

*Table (H) may fall off the stand if T-Nut (F) is not firmly tightened.



3. Adjust the height

With one hand holding the Upper tube (C), loosen T-Nut (D) with the other hand, and adjust the height of the table (H). Tighten T-Nut (D) firmly at the desired height while still holding the Upper tube (C).

*Upper tube will collapse if T-Nut (D) is loosened. Be sure to support Upper tube (C) when loosening T-Nut (D).

TAMA® HOSHINO GAKKI CO., LTD.
No.22, 3-CHOME, SHUMOKU-CHO, HIGASHI-KU, NAGOYA,
AICHI, 461-8717, JAPAN <http://www.tama.com/>

■ This manual is current as of May 2020. Because we are always working to improve our products, some features may change without notice.

TSTB86L16G