

SINGLE TOM STAND (HTS88W)

INSTRUCTION MANUAL

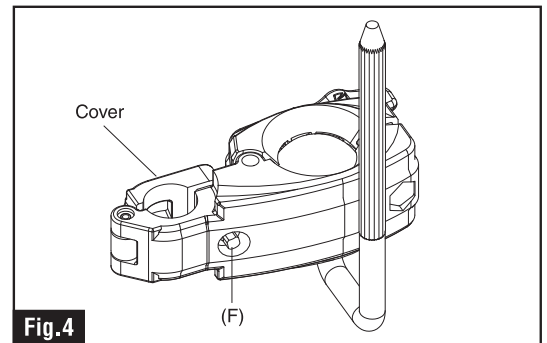
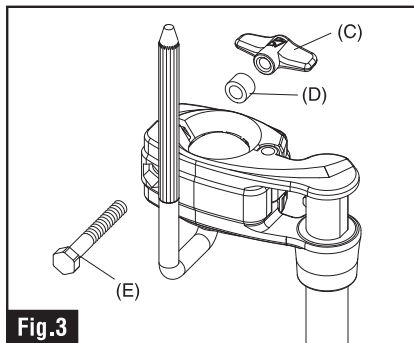
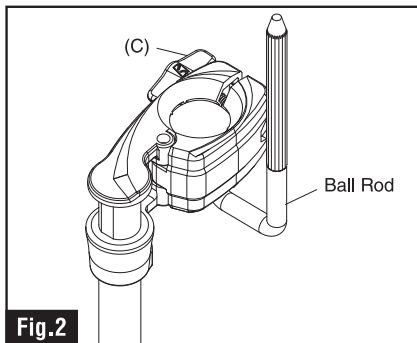
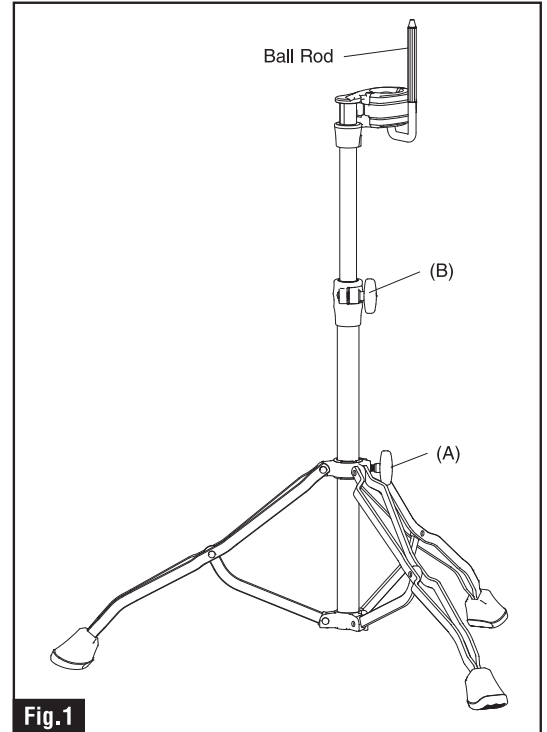
■ Please read though this manual before beginning use.

Thank you very much for purchasing TAMA hardware. To ensure safe and efficient use, please read this manual completely before beginning assembly.

Please store this manual in a convenient place for future reference.

How to Setup

- Loosen the T-bolt (A) and extend the tripod legs out so that the stand is upright. Loosen the T-nut (B) to adjust the approximate height of the stand and securely tighten both in place.
- The stand's factory setting is for a Tom Tom to be placed on the left side of the Bass Drum, as shown in Fig.2. If you prefer a Tom Tom on the right side of Bass Drum, change the Ball Rod's position as shown in Fig.3.
- First, loosen and remove the T-nut (C), along with the collar (D) and bolt (E). Next, remove the Ball Rod and install it on the opposite side. Then, reattach the T-nut, collar, and bolt as shown in Fig.3, and tighten the T-nut (C). Please note that whether you set a Tom Tom on the left or right side, make sure to place the Ball Rod on the opposite side of the T-nut (C).
- Slide the memory lock attached to the Tom Tom onto the Ball Rod. (*Please note a memory lock is not included on all models.) Then, slide the tom bracket onto the Ball Rod and fix the Tom Tom to your desired position.



Modification to the Double Tom Stand

- This stand can also be used as a double tom stand by attaching the MTH800R (Fig.4: sold separately).
- To utilize this stand as double tom stand, first set the Ball Rod, bolt (E), collar (D) and T-nut (C) of this stand as shown in Fig.3.
- Loosen and remove the square head bolt (F), washer (G), and hex nut (H) of the MTH800R.
- Open the Cover of MTH800R and attach it to the stand as shown in Fig.5. Then, reattach and securely fasten the square head bolt, washer, and hex nut.
By loosening the square head bolt (F), the right unit can rotate side to side to adjust the distance between the rack toms.
- By attaching the MTH800R to the desired position of the Upper Pipe as shown in Fig. 6, it is possible to significantly change the heights of each rack tom individually. This is a convenient feature in any situation where a specific height difference is desired.

