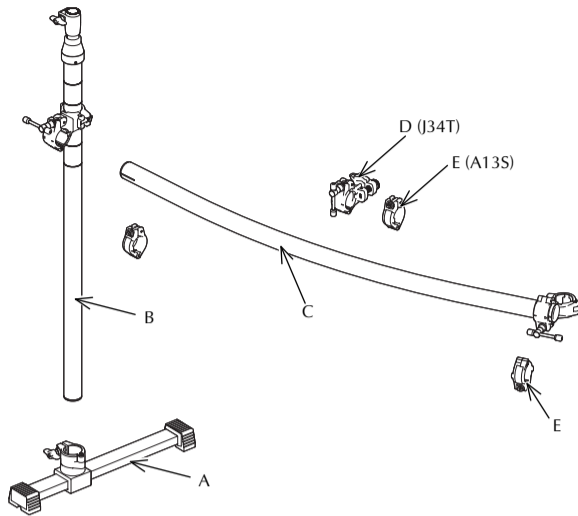


## INSTRUCTION MANUAL

Thank you very much for purchasing the TAMA Power Tower System drum rack. To ensure safe and efficient use of this product, please read through this manual before beginning assembly. Store this manual in a convenient place for future reference.

### Additional Unit



### Basic unit PMD1100M

#### Contents

No.	Qty	Name	Description
A	2	Leg unit	450 mm square pipe, rubber feet, leg clamp (J14T)
B	2	Vertical pipe unit	850 mm straight pipe, cross-joint clamp (J30TS)
C	1	Horizontal pipe	1100 mm curved pipe
D	2	Multi-holder clamp	J34T
E	2	Memory lock	A13S

#### Accessories

- 1 x numbered stickers
- 1 x TAMA logo sticker
- 1 x drum key (DH7)
- 1 x hexagonal wrench (2.5 mm for J14T)

#### Assembly

- Insert the vertical pipe units into the leg unit clamps (J14T), and then tighten the T-nuts. Each vertical pipe unit has a cross-joint clamp (J30TS) in opposite directions. As the left leg, use the vertical pipe unit with the T-handle of J30TS at the bottom (seen from the drum throne), as shown in fig. 2L. As the right leg, use the vertical pipe unit with the T-handle at the top, as shown in fig. 2R. The vertical pipe units have guidelines for setting the horizontal pipe at the same height. As the factory standard, the third line is a suitable height for a 22-inch-diameter bass drum. With a guideline spacing of 5 cm (about 2 inches), the positions of J30TS can be changed as necessary. When changing the height of the horizontal pipe, be sure to set the triangle marks to the same guideline, as shown in fig. 2.

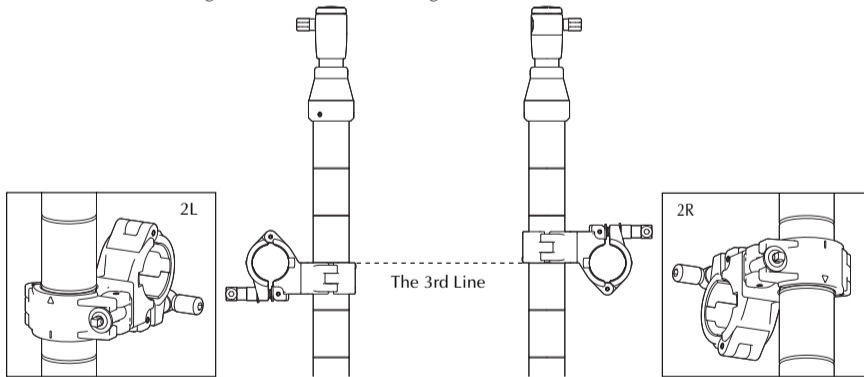


Fig. 2

- Attach the horizontal curved pipe to the vertical pipe units, one at a time. Both ends of the curved pipe have guidelines to help positioning it horizontally. Loosen the T-handle of J30TS, open the clamp, and then clamp the curved pipe. Before re-tightening the T-handle, align the line on the cover with the guideline on the pipe, as shown in fig. 3. When attaching the horizontal pipe, be careful that a vertical pipe does not tip over. We recommend stepping on the square leg pipe during assembly.
  - After confirming that the assembled unit is not twisted, attach the memory locks (A13S) to the horizontal pipe. The square projection on the memory lock should fit into the notch in J30TS (indicated by ☆ in fig. 3). Then, tighten the square-headed bolt of A13S with the drum key.
- To remove the horizontal pipe from the rack for transporting, loosen the T-handle of J30TS. When re-assembling for playing, simply fit the projection of the memory lock into the notch in J30TS to assemble it at the correct place.

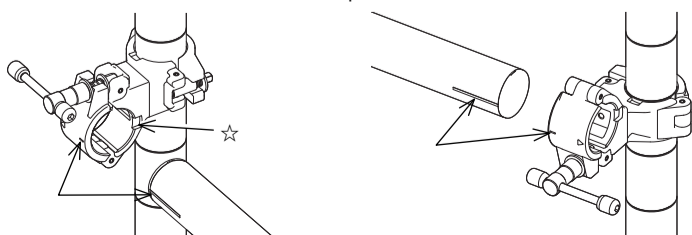


Fig. 3

### Basic Unit

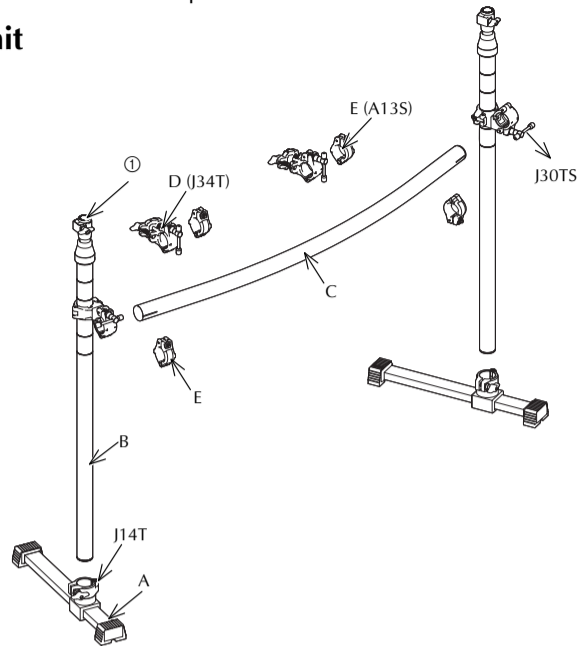


Fig. 1

- Attach the tom holder or other holder to the multi-holder clamp (J34T). When attaching the pipe of the holder to J34T, adjust both the T-nut and round nut so that the pressing plate of J34T is parallel on both sides. When using memory locks on the holder pipes, their projections (\*) should fit into the notches in J34T in the direction shown in photos

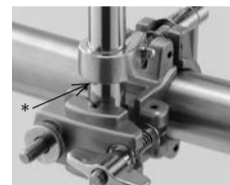


Photo A  
(ML191N, ML222NT, ML254N)

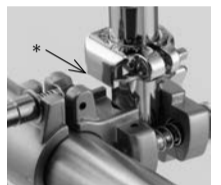


Photo B  
(ML254TC)

A and B. To easily set up your rack for playing, we recommend using memory locks (sold separately) on all holder pipes.

When you attach the holders at the desired positions, attach a memory lock (A13S) to the side of the multi-holder clamp (J34T).

By removing cap ① on the top of the vertical pipes, you can attach a cymbal holder (19.1 mm (3/4") diameter pipe).

### Additional units

- PMD1100A (1100 mm width)
- PMD900A (900 mm width)

No.	Qty	Name	Description
A	1	Leg unit	450 mm square pipe, rubber feet, leg clamp (J14T)
B	1	Vertical pipe unit	850 mm straight pipe, cross joint clamp (J30TS)
C	1	Horizontal pipe	1100 mm (PMD900A; 900 mm) curved pipe, cross-joint clamp (J30TS)
D	1	Multi-holder clamp	J34T
E	3	Memory lock	A13S

#### Accessories

- 1 x numbered sticker
- 1 x TAMA logo sticker
- 1 x drum key (DH7)
- 1 x hexagonal wrench (2.5mm for J14T)

- Assemble the vertical and horizontal pipes using the same procedure as for the basic unit. The vertical pipe of additional units were pre-assembled on the assumption that they will be attached to the right side (seen from the drum throne) of the basic unit (as shown in fig. 1). If you want to add it to the left side of the basic unit, remove J30TS on the vertical pipe unit. Then, re-attach it to the left vertical pipe of the basic unit.

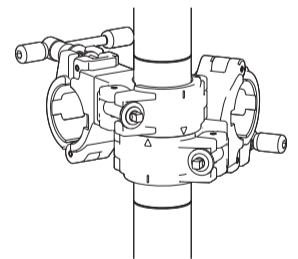


Fig. 4

When you want to set the horizontal pipe of an additional unit at the same height as on the basic unit, attach two J30TS in alternate positions, as shown in fig. 4.

- As with the basic unit, by removing cap ① on the top of the vertical pipe, you can attach a cymbal holder (19.1 mm (3/4") diameter pipe). The accessory multi-holder clamp (J34T) can hold a tom holder, etc.
- Use the accessory stickers (A~Z and 1~10) as shown in photo C. They can help you to easily reproduce your setup.



Photo C