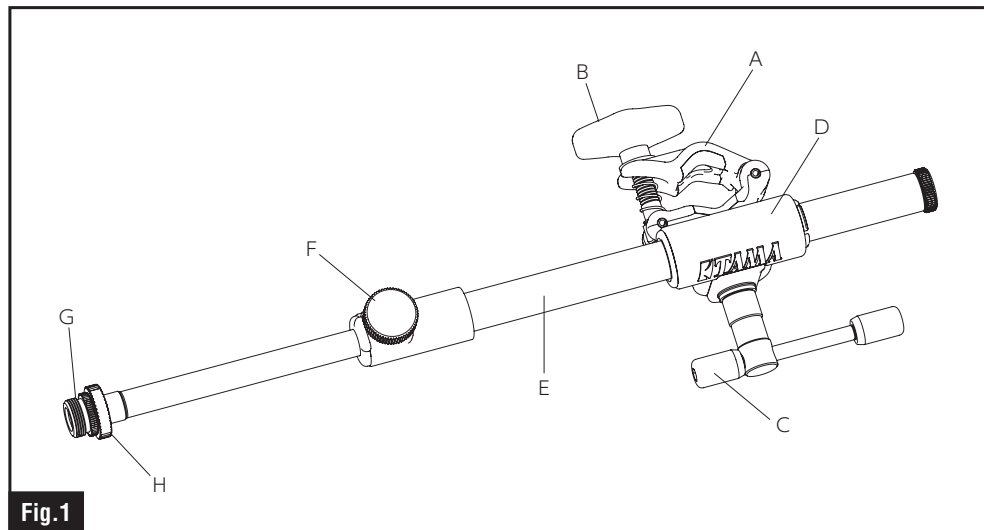


TAMA MICROPHONE CLAMP ARM (MSCA734BK)

INSTRUCTION MANUAL

Thank you very much for purchasing the TAMA Microphone Clamp Arm.

To ensure safe and efficient use, please read through this manual before use. Store this manual in convenient place for future reference.



Notes of the diagram(Fig.1)

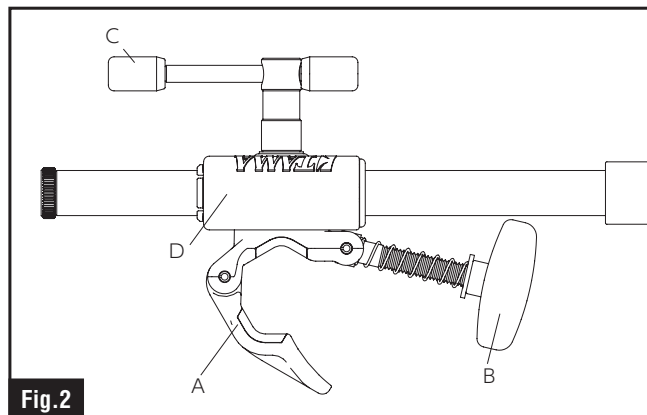
- A : Pipe clamp
- B : T-nut
- C : Tilter locking handle
- D : Boom tilter
- E : Boom arm
- F : Boom arm locking screw
- G : Thread adapter (3/8" → 5/8")
- H : Locking nut

Accessories

- Instruction manual (This sheet)
- Safety notes
- Thread adapter (3/8" → 5/8")

This product is designed on the assumption that a microphone will be attached.

This product attaches to an existing microphone stand or cymbal stand for simple and compact microphone set-up options.



How to use

- Tighten the T-handle (C) to fix the tilter (D) in place. Then, as shown in Fig.2, loosen the T-nut (B) and open the clamp.
 - The clamp (A) fits pipe diameters from 15mm to 25.4mm. Attach the clamp to desired position on your existing stand and tighten the T-nut (B) to secure it in place.
 - The length and angle of the boom arm can be adjusted by loosening T-handle (C). Also, loosen the screw (F) to adjust the telescoping boom arm for versatile microphone placement.(see Fig.3)
- When you reach the desired angle, firmly tighten the T-handle (C) and locking screw (F) to secure it in place.
- This product comes equipped with a 3/8" connector, and a 5/8" adapter (G) is included.
- If you wish to use a microphone holder other than 3/8" or 5/8", you must purchase a third-party adapter.

